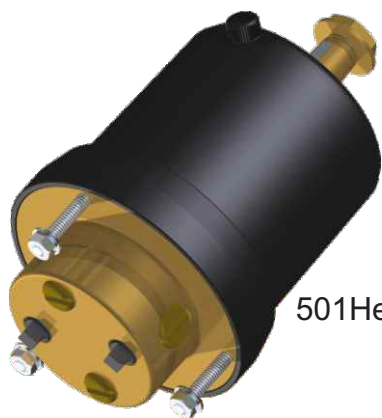


Commander HYDRAULIC STEERING FOR OUTBOARD MOTORS



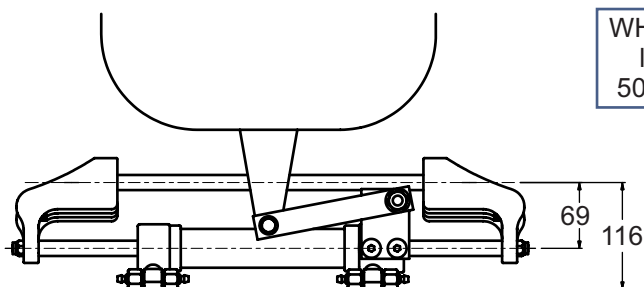
501Helm unit



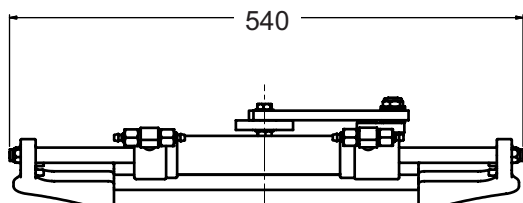
511BH cylinder

COMKIT-1

For pleasure use on Outboards up to single 200HP or dual outboards Counter-rotating up to 400HP total**

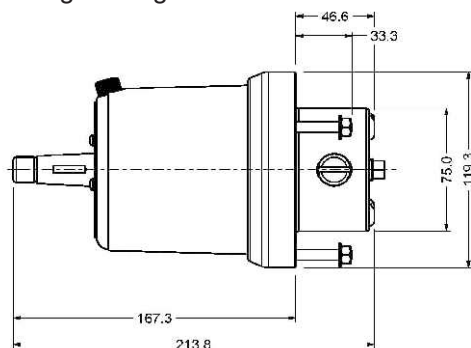
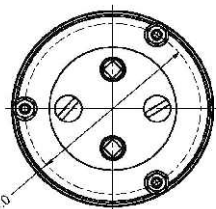


WHEEL TURNS
lock to lock
501 helm = 5.4



Model 511BH Cylinder dimensions

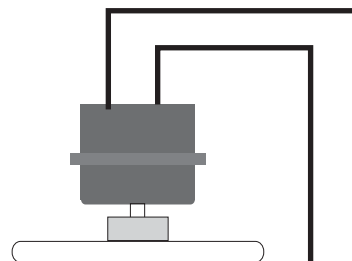
Capacity:- 154cc
Stroke:- 203mm
Weight:- 5Kg



Model 501 Helm pump dimensions

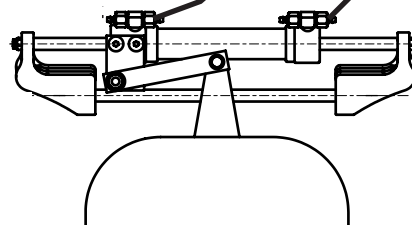
Model 501 Capacity:-28cc/rev
In-built Lock valve
Maximum working pressure:- 800psi
Absolute maximum pressure:- 1000psi
Weight:- 5Kg

See also optional helm choices for rear-mount, wedge and tilting helms for this kit



COMKIT-1

Complete Kit comprises:-
Model 501 Helm
Model 511BH cylinder
2 litres ULTRA-15 fluid
15Mtrs 3/8" OD Nylon tubing
Bleeding Kit
All fittings
Installation Manual
Packed weight 15Kg



SIMPLE INSTALLATION TO ANY OUTBOARD**
See steering circuits for multiple outboards and catamaran installation options.

**For some model Honda and other 4-strokes the 511BH-Honda version or 511BH-MERC is required to avoid interference on motor cowling. Check selection chart to confirm.

HyDrive
HYDRAULIC STEERING